

GGP-40 Inset Glass Door Pivot Hinge

Features

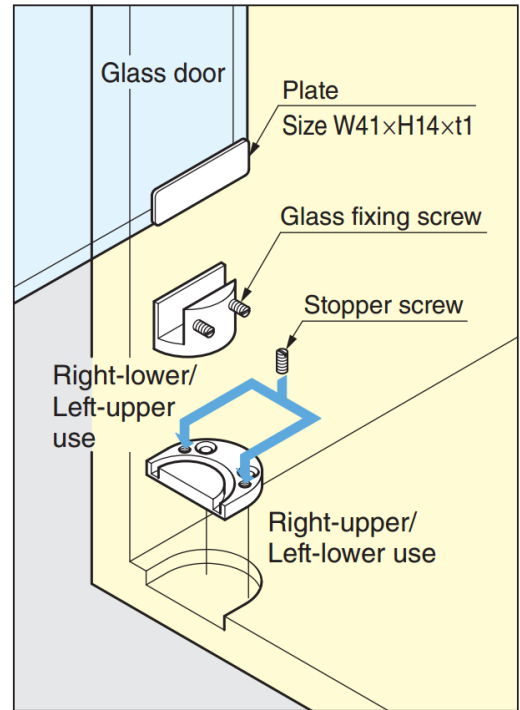
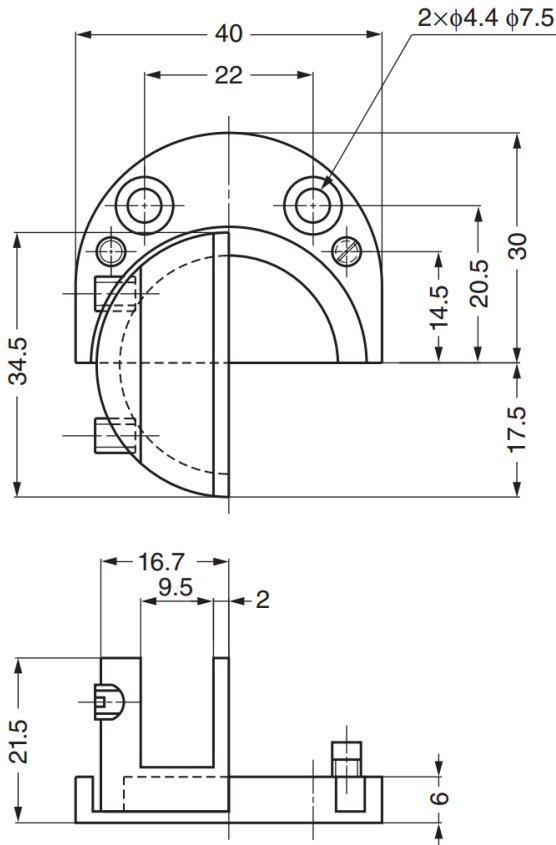
- Pre-drilling on glass/acrylic not required

Material

- Brass, satin nickel finish

Notes

- Recommended for use in pairs



Part No.	Door Width	Door Height	Glass Thickness	Door Weight
GGP-40	Max. 450	Max. 700	3, 4, 5, 6, 8	Max. 4 kg / 2 pcs